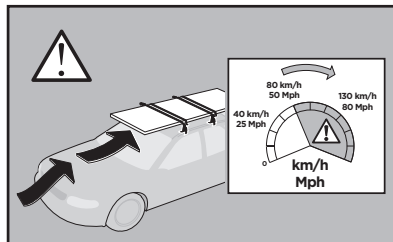
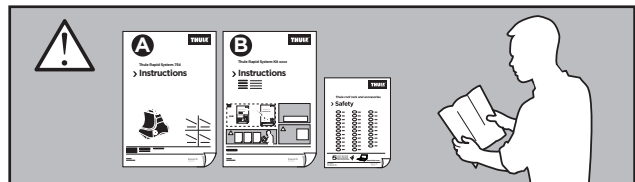
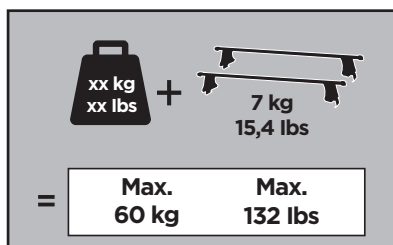
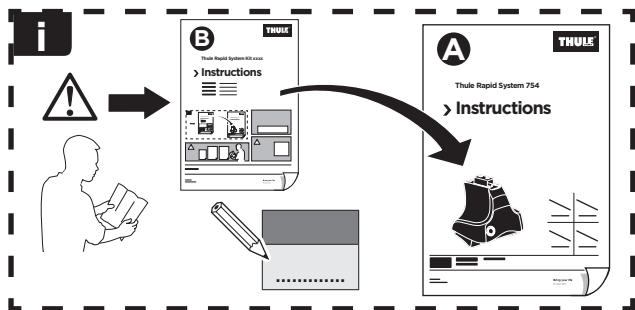




## Thule Rapid System Kit 1787

# > Instructions

**FORD F-150**, 4-dr Double Cab, 15-  
**FORD, Super Duty**, 4-dr Super Cab, 17-  
**FORD, Super Duty**, 4-dr Crew Cab, 17-



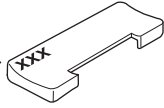
ISO 11154-E

**141787**  
C.20160926  
519-1787-02

**Bring your life**  
thule.com



342 x4



237 x4



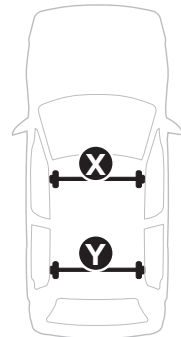
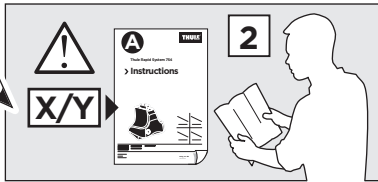
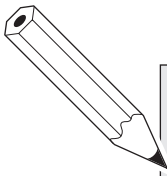
x1



x1

# 1

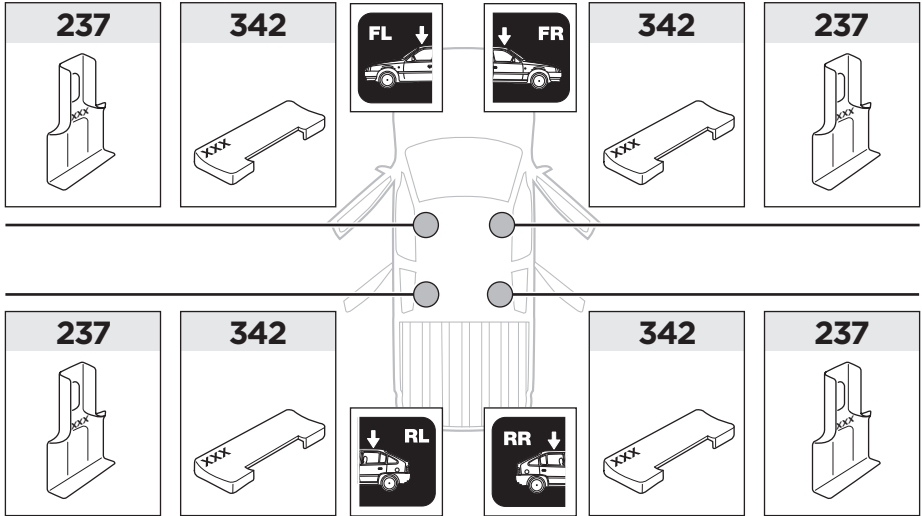
	X (scale)	X (mm)	X (inch)
<b>FORD F-150</b> , 4-dr Double Cab, 15-	67,5	1326	52 1/4
<b>FORD, Super Duty</b> , 4-dr Super Cab, 17-	67,5	1326	52 1/4
<b>FORD, Super Duty</b> , 4-dr Crew Cab, 17-	67,5	1326	52 1/4



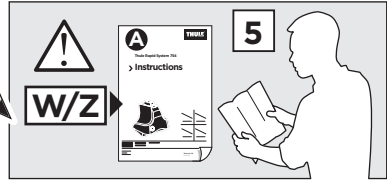
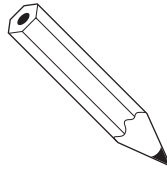
	Y (scale)	Y (mm)	Y (inch)
<b>FORD F-150</b> , 4-dr Double Cab, 15-	67	1321	52
<b>FORD, Super Duty</b> , 4-dr Super Cab, 17-	67	1321	52
<b>FORD, Super Duty</b> , 4-dr Crew Cab, 17-	67	1321	52

**2**

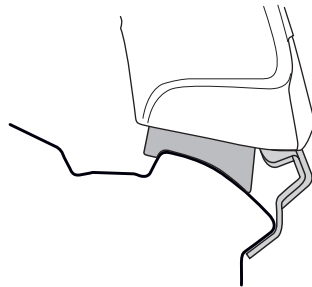
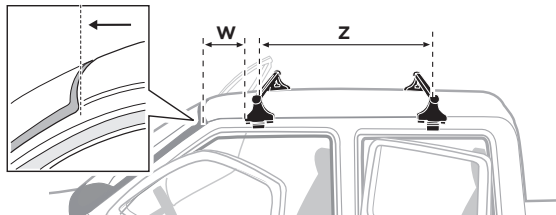
**FORD F-150**, 4-dr Double Cab, 15-  
**FORD, Super Duty**, 4-dr Crew Cab, 17-  
**FORD, Super Duty**, 4-dr Crew Cab, 17-

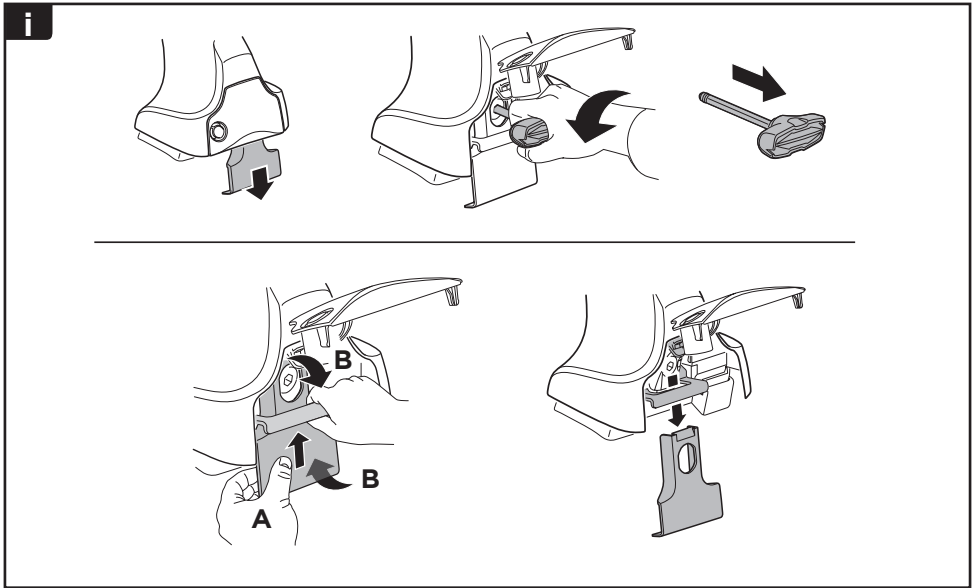
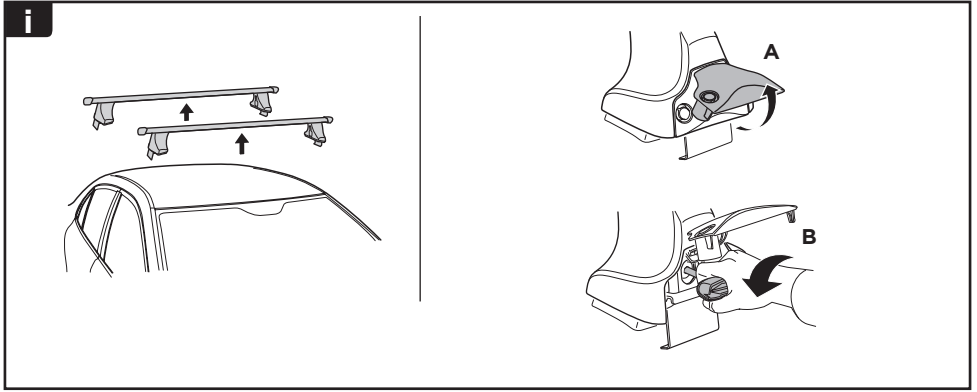


3

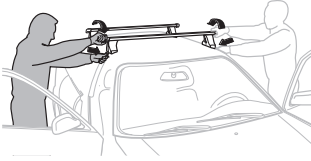


	W (mm)	Z (mm)	W (inch)	Z (inch)
<b>FORD F-150</b> , 4-dr Double Cab, 15-	<b>250</b>	<b>735</b>	<b>9 7/8</b>	<b>29</b>
<b>FORD, Super Duty</b> , 4-dr Super Cab, 17-	<b>250</b>	<b>735</b>	<b>9 7/8</b>	<b>29</b>
<b>FORD, Super Duty</b> , 4-dr Crew Cab, 17-	<b>250</b>	<b>735</b>	<b>9 7/8</b>	<b>29</b>





7

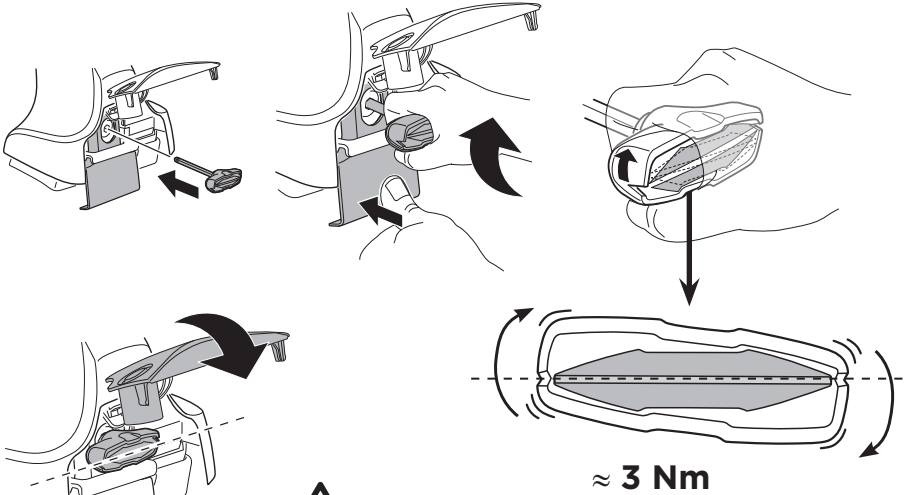


- EN Tighten alternately
- DE Die Schrauben abwechselnd anziehen
- FR Serrer alternativement chaque côté
- NL Afwisselend aan de linker- en de rechterkant aandraaien
- IT Alternare il serraggio delle viti
- ES Apretar alternativamente
- PT Aperte alternadamente
- SV Dra åt växelvis
- DK Spænd skiftevis
- NO Trekk til vekselvis
- FI Kierrä vuorotellen
- ET Pinguldage vaheldumisi
- LV Pīvelciet pamīšus
- LT Užsukinėkite pakaitomis
- PL Śruby dokręcaj naprzemiennie
- RU Затягивайте попеременно

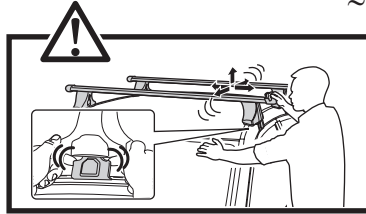
- UK Затягти почергово
- BG Затегнете последователно
- CS Pokrétla багаžníka dokręcaj dokręcaj naprzemiennie.
- SK Dofahujete striedavo dokręcaj naprzemiennie
- SL Privijajte izmenično
- HR/BIH Naizmjenično zategnite
- RO Strângeți alternativ
- HU Egy mástól függetlenül szorítandó
- EL Σφιγγετε εναλλάξ
- TR Dönüşümlü sıkın

AR إسكاف الربط بالتناوب  
HE סדק לסיבוב

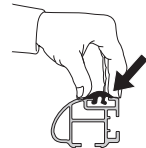
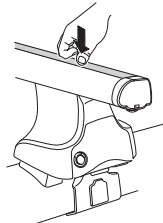
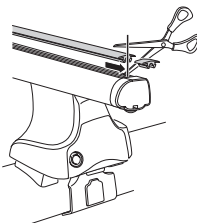
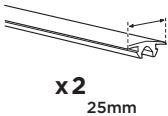
- ZH 交替拧紧
- JA 左右交互に締めつけてください
- KO 번갈아 조이기
- TH วนไปแบบสลับ



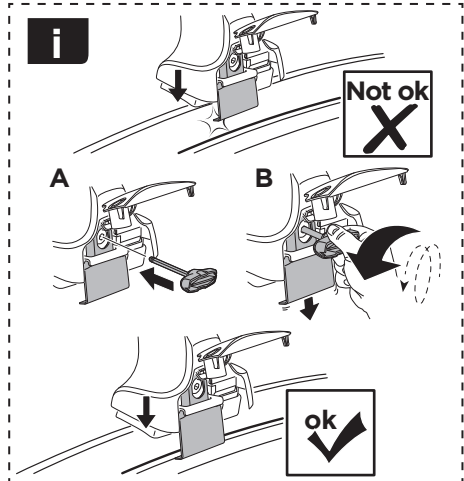
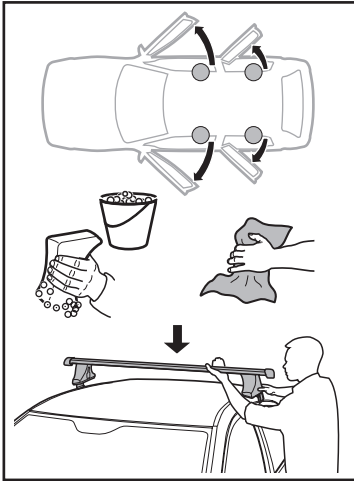
≈ 3 Nm



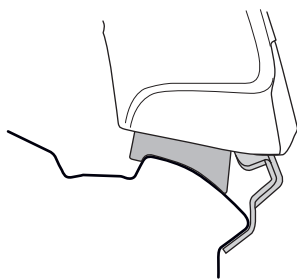
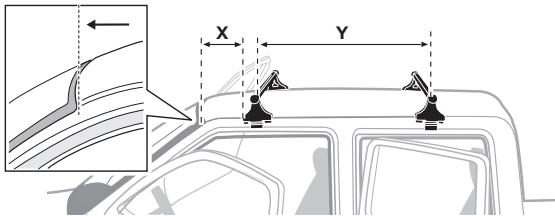
8



# 6



	X mm	Y mm	X inch	Y inch
<b>FORD F-150, 4-dr Double Cab, 15-</b>	250	735	9 <sup>7</sup> / <sub>8</sub>	29
<b>FORD, Super Duty, 4-dr Super Cab, 17-</b>	250	735	9 <sup>7</sup> / <sub>8</sub>	29
<b>FORD, Super Duty, 4-dr Crew Cab, 17-</b>	250	735	9 <sup>7</sup> / <sub>8</sub>	29

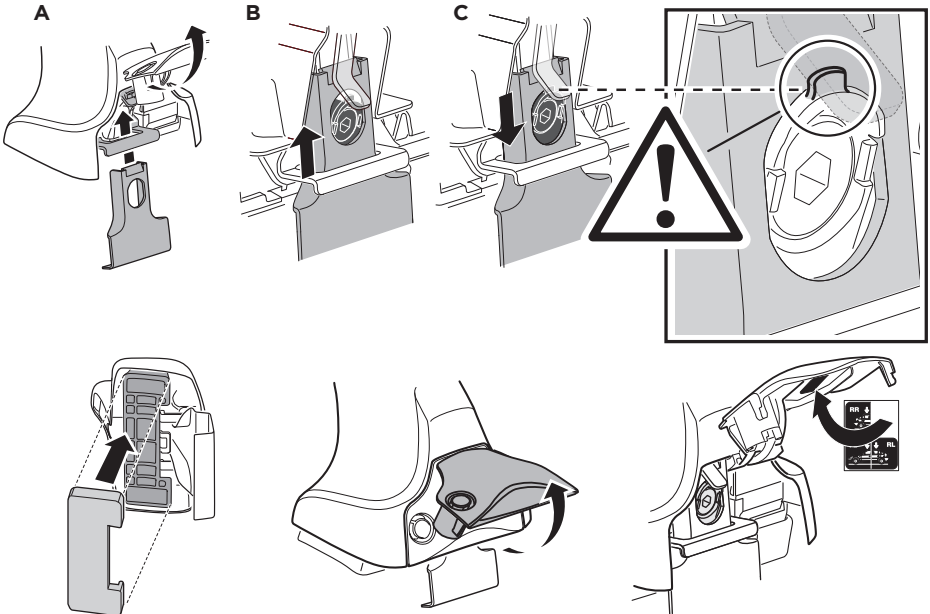
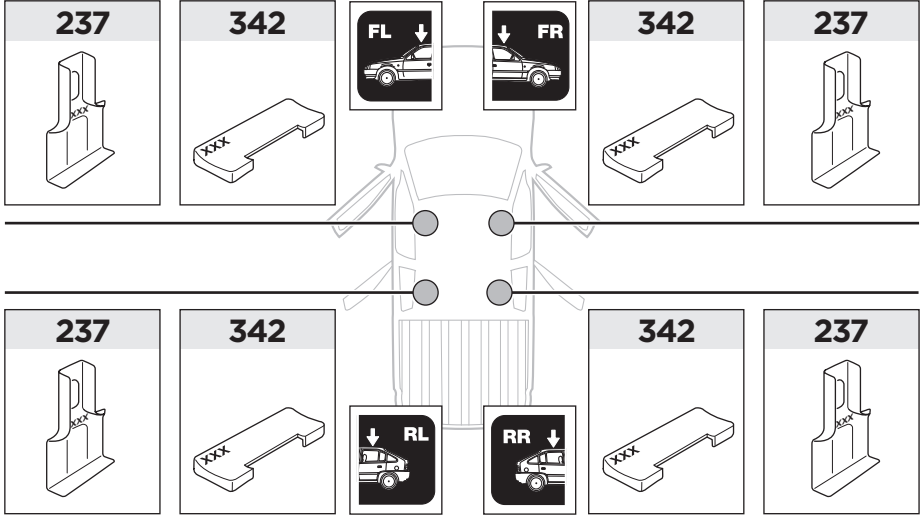


# 5

FORD F-150, 4-dr Double Cab, 15-

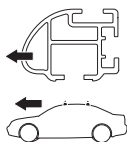
FORD, Super Duty, 4-dr Super Cab, 17-

FORD, Super Duty, 4-dr Crew Cab, 17-

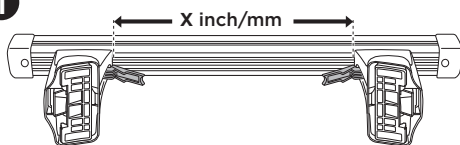




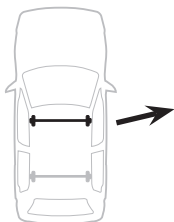
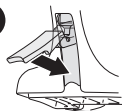
**3**



**1**



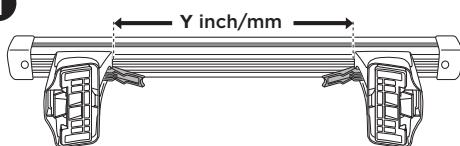
**2**



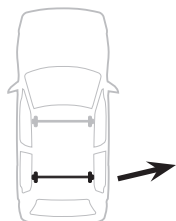
**X inch      X mm**

<b>FORD F-150, 4-dr Double Cab, 15-</b>	<b>52 1/4</b>	<b>1326</b>
<b>FORD, Super Duty, 4-dr Super Cab, 17-</b>	<b>52 1/4</b>	<b>1326</b>
<b>FORD, Super Duty, 4-dr Crew Cab, 17-</b>	<b>52 1/4</b>	<b>1326</b>

**1**



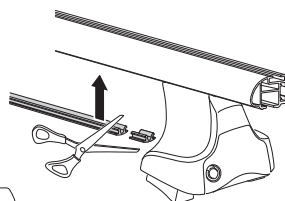
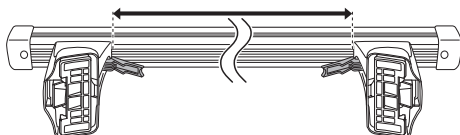
**2**



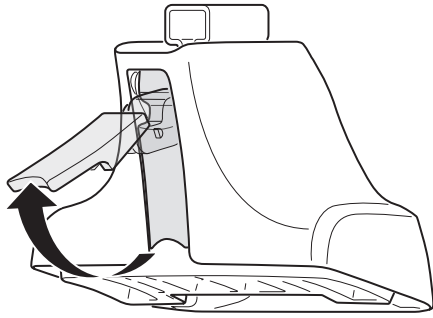
**Y inch      Y mm**

<b>FORD F-150, 4-dr Double Cab, 15-</b>	<b>52</b>	<b>1321</b>
<b>FORD, Super Duty, 4-dr Super Cab, 17-</b>	<b>52</b>	<b>1321</b>
<b>FORD, Super Duty, 4-dr Crew Cab, 17-</b>	<b>52</b>	<b>1321</b>

**4**



1



2



x2



x2



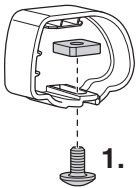
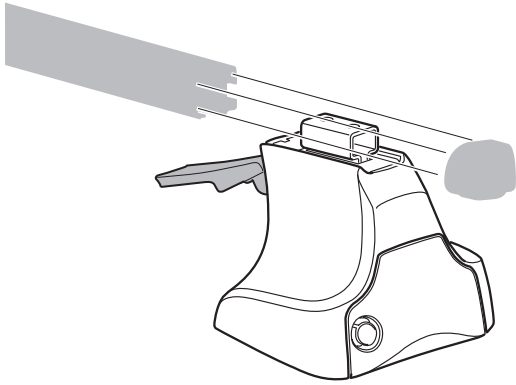
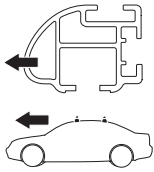
x4



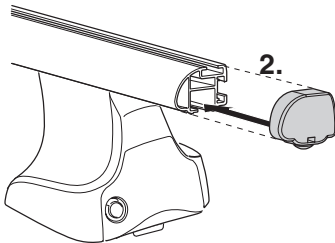
x4



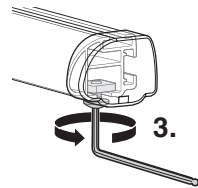
x1 5mm




1.




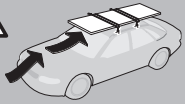

2.






3.

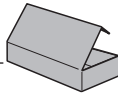

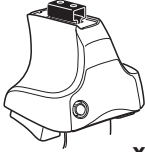


 $xx \text{ kg} + 7 \text{ kg} =$   
 $xx \text{ lbs} + 15,4 \text{ lbs} =$

**Max. 60 kg**  
**Max. 132 lbs**

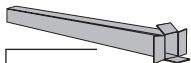






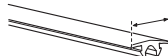
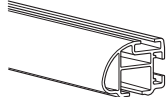
80 km/h 130 km/h  
 50 Mph 80 Mph  
 40 km/h 25 Mph  
**km/h Mph**






**instructions** Kit xxxx  




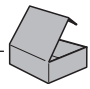

 **x1**  
 **x4**  
 **x4**

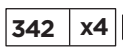
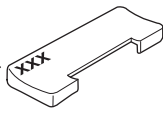

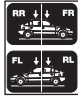
480R / 754

 **x2 16mm**  
 **x2 25mm**  
 **x2**

 **x2**  
 **x2**  
 **x4**  
 **x4**  
 **x1 5mm**

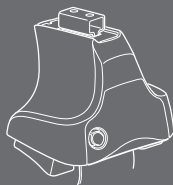


 **x4** **342**  
 **xxx**  
 **xxx** **x4** **237**  
 **x1**

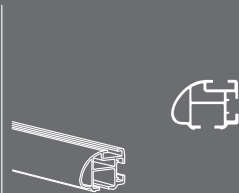
# instructions

# Kit 1787

**FORD F-150**, 4-dr Double Cab, 15-  
**FORD, Super Duty**, 4-dr Super Cab, 17-  
**FORD, Super Duty**, 4-dr Crew Cab, 17-



480R  
754



**THULE**<sup>®</sup>  
SWEDEN  
**PROFESSIONAL**

ISO 11154-E