

---

**Installation Kit No. LIK-54 (116)**

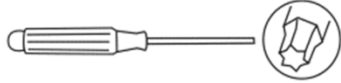
Contents: (8) Flat Washers



# INSTALLATION INSTRUCTIONS

## Required tools:

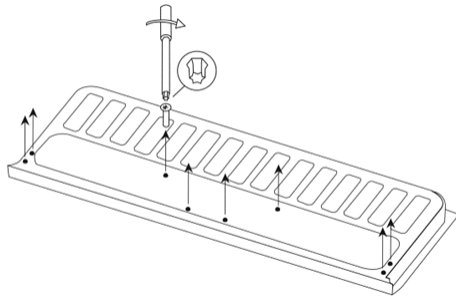
- Torx Screwdriver T15



## Preparations:

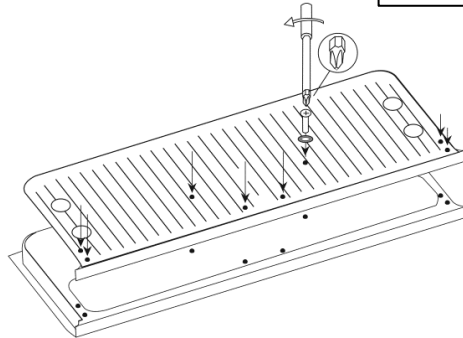
Clean and dry the cargo box of your truck.

### Step 1



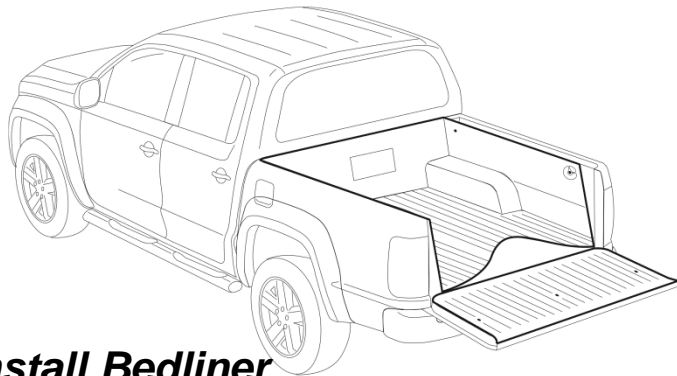
Remove OEM screws with Torx screw driver T15  
“Save the Screws”

### Step 2



Place Tailgate Cover and align the holes.  
Install one Screw from step 1, and one Flat Washer on each location

### Step 3



## Install Bedliner

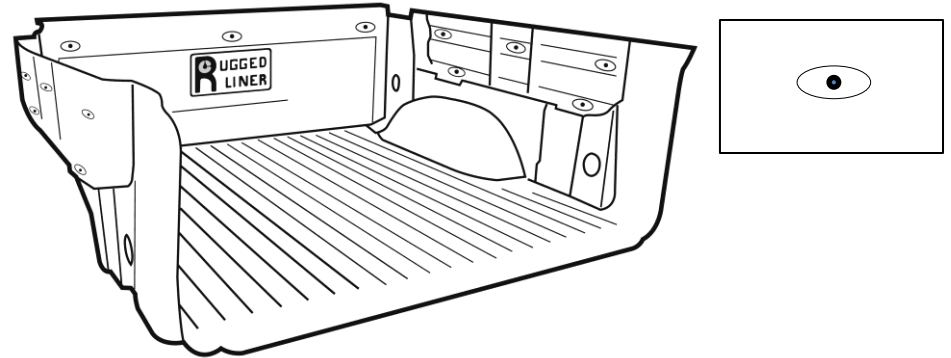
- Insert the Bedliner drivers side wall under the truck bed rail
- Lift center of Bedliner floor in order to insert the passengers side wall under the truck bed rail.

# “OPTIONAL”

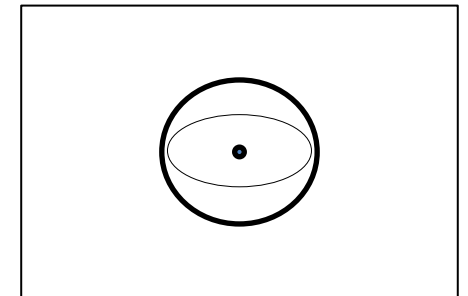
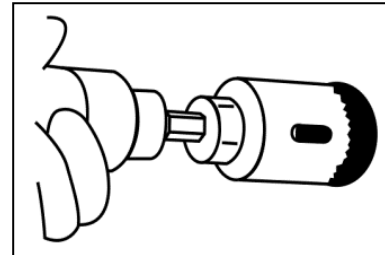
## Upper Tie-Down Holes

### For trucks with removable upper tie-downs

Before you install the Bedliner into the bed truck. Locate the dimples for the desired tie-down locations



Drill a 2” round hole



*Install Bedliner Following Step 3*