



200 Universal Dr. • Owosso • MI 48867

989-725-8354 • Fax 989-725-8409

1-800-433-3604



Installation Kit No. LIK-45 (110)

Contents: (8) 1" Screws

(4) Washers

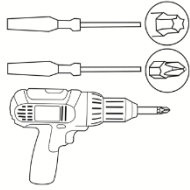
(4) Spacers-washer

(4) 1" Self Drilling Screws

INSTALLATION INSTRUCTIONS

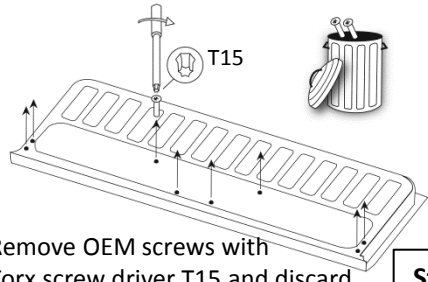
Required Tools:

- Torx Screwdriver T15
- Phillips Screwdriver
- Drill with Phillips point
(Optional)



Preparations:

Clean and dry the cargo box of your truck

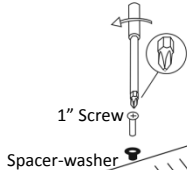


Remove OEM screws with Torx screw driver T15 and discard

Step 1

PS (2 locations)

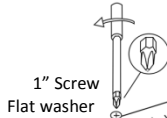
Install:



1" Screw
Spacer-washer

Center (4 locations)

Install:



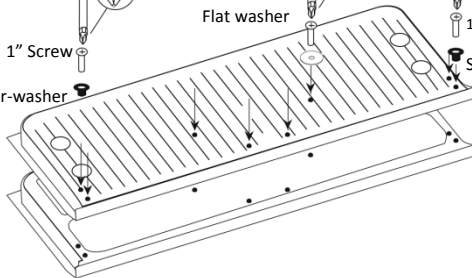
1" Screw
Flat washer

DS (2 locations)

Install:



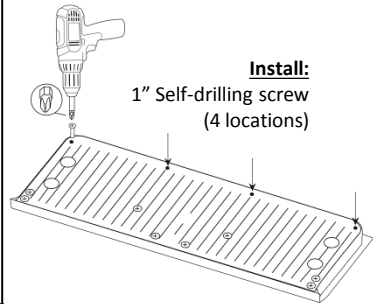
1" Screw
Spacer-washer



Optional

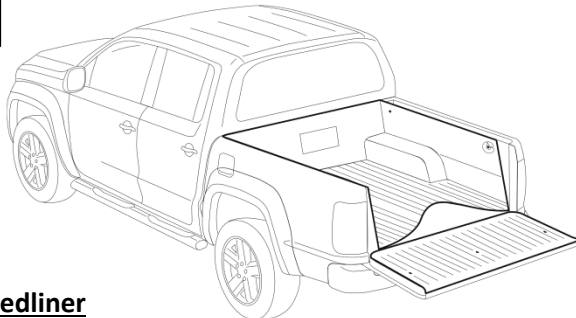
Install:

1" Self-drilling screw
(4 locations)

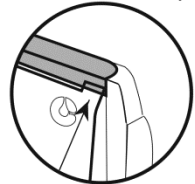


Step 2

Step 3



Insert rear top end
under rail cap



Install Bedliner

- Insert the Bedliner's drivers side wall under the truck bed rail
- Lift center of Bedliner floor in order to insert the passengers side wall under the bed rail.