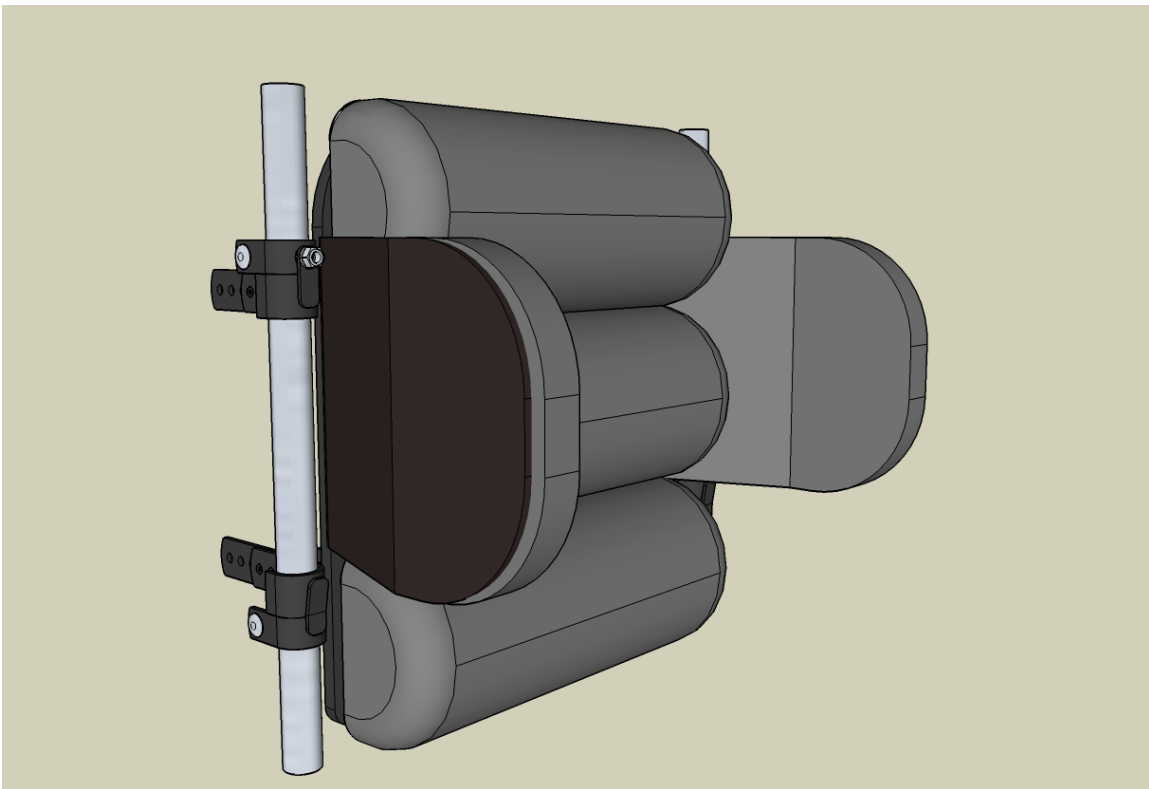


INNOVATIVE
CONCEPTS

Installation Instructions

Operating Instructions

Accu-fit **PLUSH BACK™**



Important Consumer Information!

NOTICE: This manual contains important instructions that must be passed on to the user of this product. Please do not remove this manual before delivery to the end user.

Accu-fit Seating™
"Improving lives, Improving independence, one product at a time"

TABLE OF CONTENTS

Parts

Exploded Views ----- Page 3

Assembly and Mounting Steps

Attaching lower “L” mounting hardware ----- Page 4
Attaching lower “J” mounting hardware ----- Page 5
Attaching upper mounting hardware ----- Page 6
Attaching lateral support(s) ----- Page 7
Final adjustments ----- Page 7

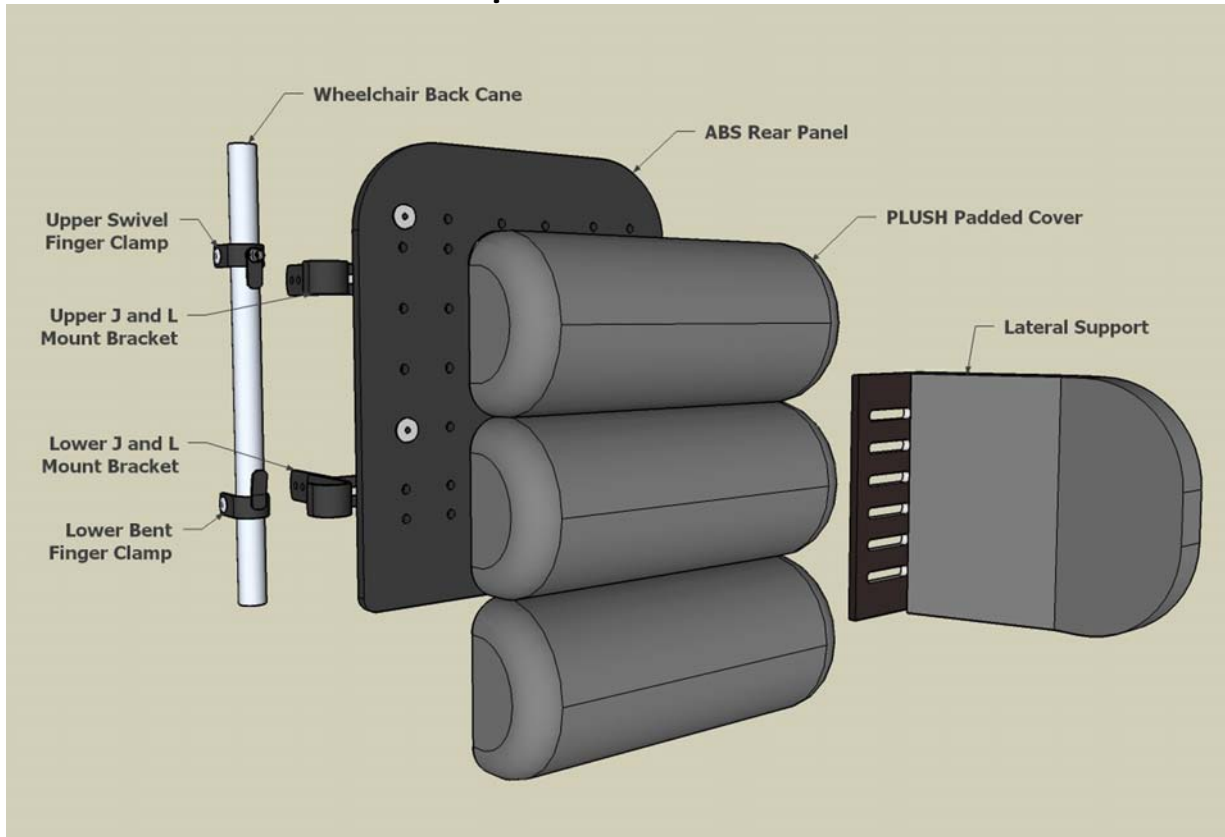
Operating Instructions

Removing Back Support ----- Page 8
Installing Back Support ----- Page 8
Care and Maintenance ----- Page 9
Warranty ----- Page 9

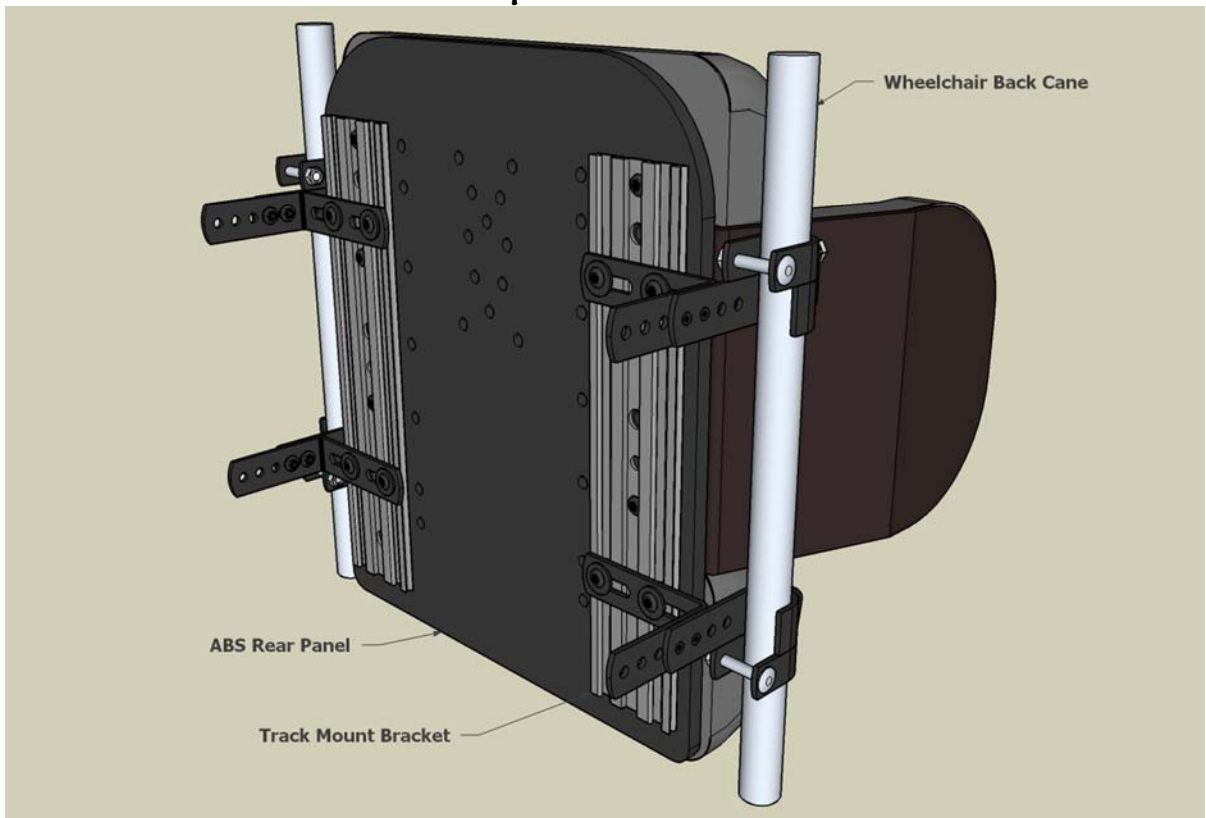
WARNING! Read Before Proceeding!

DO NOT INSTALL THIS EQUIPMENT WITHOUT FIRST READING AND UNDERSTANDING THIS MANUAL. INNOVATIVE CONCEPTS WILL NOT BE RESPONSIBLE FOR DAMAGE OR INJURY AS A RESULT OF MISUSE OR IMPROPER INSTALLATION. WE RECOMMEND AN EXPERIENCED PROFESSIONAL BE CONSULTED IN THE SELECTION AND APPLICATION PROCESS OF THIS PRODUCT

Exploded Front View



Non-Exploded Rear View



Installation Instructions

WARNING!

Until all mounting clamps, brackets and J and L pieces are tightened and securely attached, make sure client is safely supported while positioning adjustments are made to prevent the client from falling out of the wheelchair.

Step 1-Attaching lower “L” mounting hardware

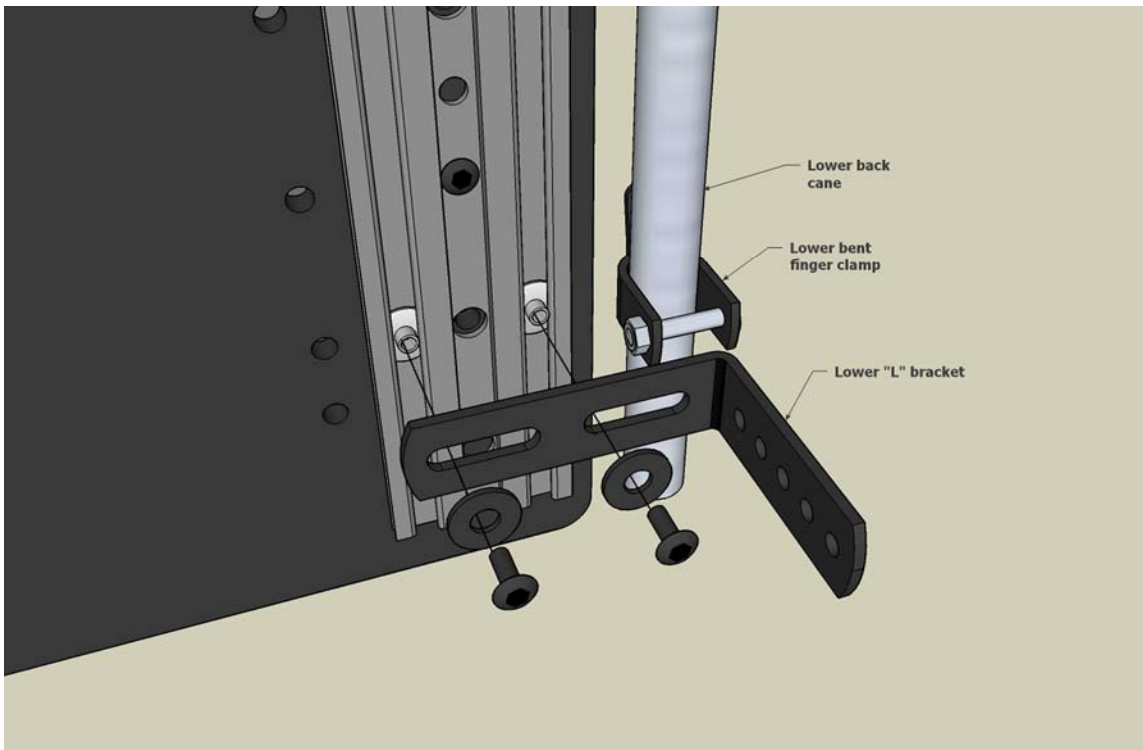
(Step 1.1) Locate the desired position for the back within the wheelchair back canes

(Step 1.2) Lower mount hardware setup: using a pencil or a non-permanent marking tool start by holding the back in the desired mounting location, draw two marks or lines horizontally level to each other in the desired lower mounting location on one of the back canes and over onto the track mount bracket.

(Step 1.3) (See reference below) Attach a bent finger clamp and an “L” bracket using your reference marks or lines.

(Step 1.4) Proceed by measuring and mounting duplicate hardware on the opposite lower side of the back.

Tip: make certain to measure mounting locations for opposite side hardware making sure hardware is “Level” left to right. Also keep in mind not to over tighten hardware because the back height may need to be re-adjusted before final tightening of hardware is done.



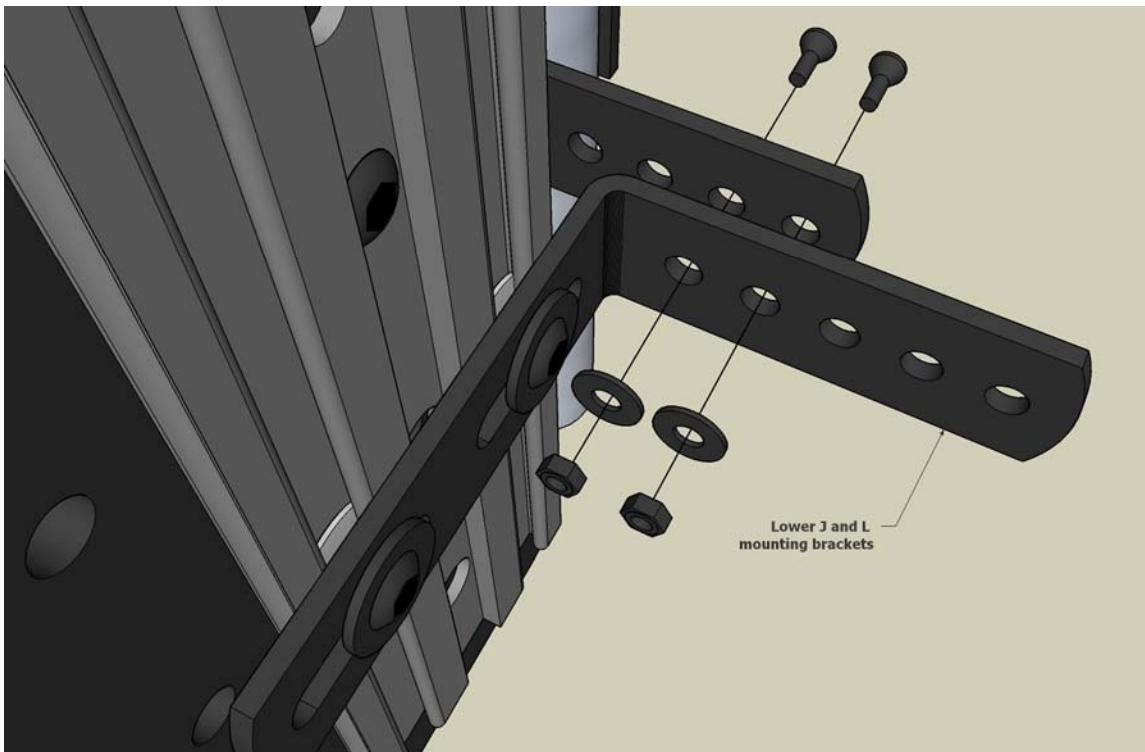
Installation Instructions

Step 2-Attaching lower “J” mounting hardware

(Step 2.1) Mounting lower “J” brackets, take one “J” bracket and again position back in desired mounting location, hold “J” bracket in one of the lower bent finger clamp brackets in alignment with the “L” bracket to determine proper J and L attachment point.

(Step 2.2) (See reference below) Using 2-“J” and “L” attaching bolts, washers and locknuts. Assemble “J” bracket to “L” bracket in desired location. Repeat this step for opposite side.

(Step 2.3) Adjust “L” brackets to fit width of back canes. Make sure “L” brackets are equally spaced so back is centered between back canes and “L” brackets should easily drop-in lower bent finger clamps when properly adjusted.



Installation Instructions

Step 3-Attaching upper mounting hardware

(Step 3.1) position back in frame on lower mounting hardware, again using a pencil or non permanent marking tool draw two marks or lines horizontally level to each other in the desired upper mounting location on one of the back canes and over onto the track mount bracket.

Step 3 continued

(Step 3.2) (See reference below) Attach 1-upper swivel finger clamp (see reference) and 1-"L" bracket using your reference marks or lines.

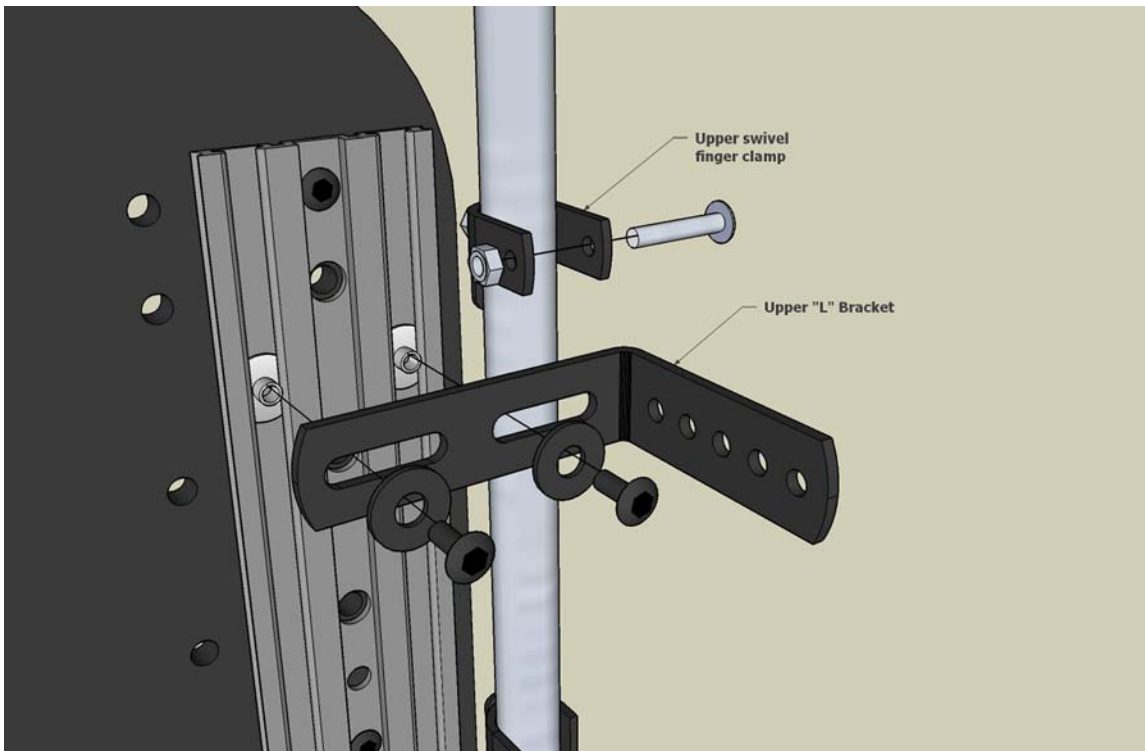
(Step 3.3) Proceed by measuring and mounting duplicate hardware on the opposite upper side of the back.

Tip: make certain to measure mounting locations for opposite side hardware making sure hardware is "Level" left to right. Also keep in mind not to over tighten hardware because the back height may need to be re-adjusted before final tightening of hardware is done.

(Step 3.4) Upper "J" brackets are mounted with no more than 1/8" space between bottom of upper swivel fingers and top of upper "J" brackets. Take 1- "J" bracket and again position back in frame on the lower mounting hardware, hold "J" bracket in one of the upper swivel finger clamp brackets and align with the "L" bracket to determine proper J and L attachment point.

Tip: Setting the proper mounting locations for the J and L hardware is important as this determines the final seat depth and back angle for the user.

(Step 3.5) Measure and mount duplicate hardware on the opposite side of the back.



Installation Instructions

WARNING!

Make sure client is safely supported while positioning adjustments are made to prevent the client from falling out of the wheelchair.

Step 4-Attaching Lateral support(s)

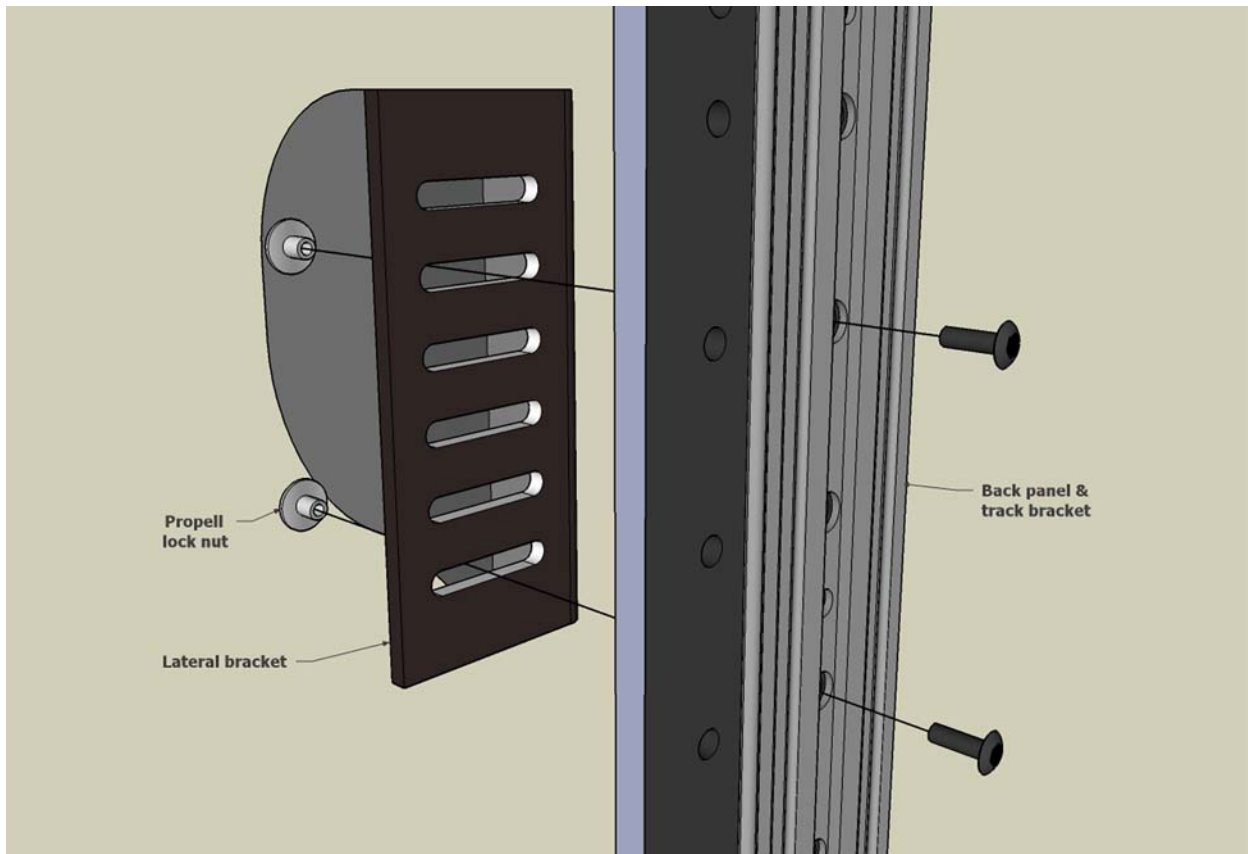
Tip: Plush back panel has 2 sets of vertical mounting holes per side for attaching lateral bracket(s).

Locate the 2 lateral bracket slots with the maximum distance between the 2 bolting positions through the Plush back panel.

(Step 4.1) Locate the desired mounting position for the lateral bracket(s) on the Plush back panel.

(Step 4.2) (See reference below) Use 2-propell lock nuts and 2-1/4x20x3/4" fasteners per lateral bracket attachment.

(Step 4.3) Attach 2 bolts through Plush back panel and lateral bracket slots into propel lock nuts, securely tighten bolts to lock propel nuts into lateral bracket slots. Checking to make sure that lateral support(s) will not slide or move under pressure.



Step 5-Final Adjustments

(Step 5.1) Seat client in wheelchair.

(Step 5.2) Position client with desired back depth, back height and seat-to-back angle.

(Step 5.3) Final tighten lower fixed finger clamps and upper swivel finger clamps.

(Step 5.4) Final tighten J and L mounting hardware using 2-bolts, washers and locking nuts per J and L assembly.

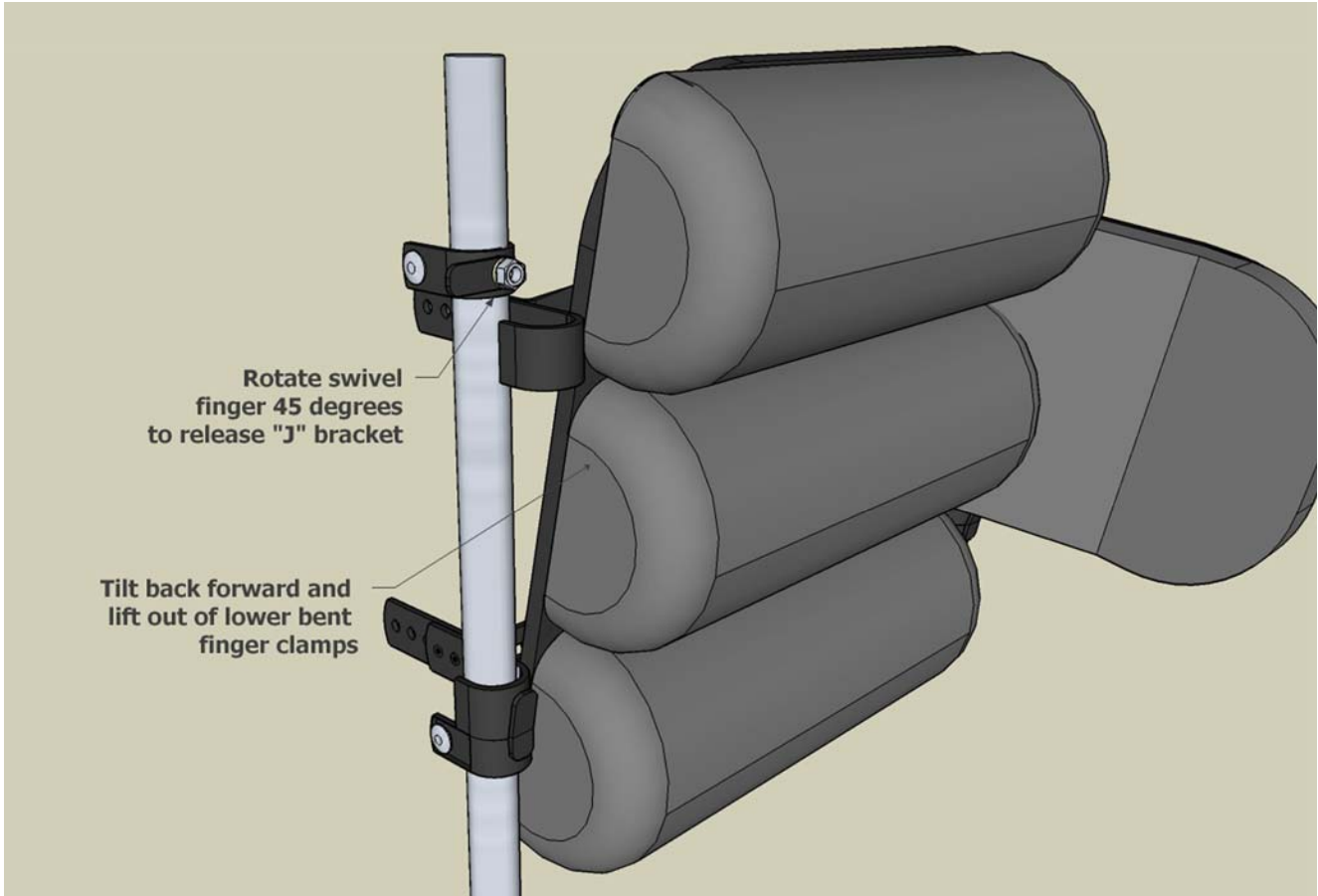
(Step 5.5) Once client is positioned, make sure all hardware is adjusted properly and is securely tightened and attached.

Tip: Simple adjustments can be made for back height adjustments by loosening "L" brackets on tracks and sliding back up or down to desired client height.

Step 6-Removing Back Support

(Step 6.1) Rotate both upper swivel finger brackets out 45degrees to release upper "J" brackets.

(Step 6.2) Tilt back forward/away from back canes approximately 25 degrees and lift back out of lower bent finger clamp brackets.



Step 7-Installing Back Support

(Step 7.1) Make sure both upper swivel finger clamps are rotated out 45degrees.

(Step 7.2) Hold back at approximately a 25degree angle (top of back tilting away from back canes). Align bottom "J" brackets with bottom bent finger clamps and securely push downward into place.

(Step 7.3) Tilt top of back rearward against the back canes.

(Step 7.4) Rotate both upper swivel finger clamps down (parallel) with back canes to stop or lock upper "J" brackets against back canes, making sure back will not tilt forward away from back canes.

CARE AND MAINTENANCE

- The outer stretch cover can be cleaned; first you must unzip and remove all inner pillow bladders and machine wash using, gentle cycle and cold water. Air dry.
- The ABS back panel can be cleaned using mild soap and water, do not saturate. Towel dry
- Never store back support in conditions of extreme cold or heat. Do not expose to direct sunlight for long periods of time.
- Never store heavy or sharp objects on top of your cushions.
- Daily-Before client is positioned in wheelchair, make sure back cushion is properly attached.
- Once a month, check that mounting hardware is securely tightened

24 MONTH LIMITED WARRANTY

This warranty is extended only to the original purchaser/user of our products. Each PLUSH BACK is carefully inspected and tested to provide peak performance. Every PLUSH BACK is guaranteed to be free from defects in materials and workmanship for a period of 24 months from the date of purchase. This warranty does not apply to normal wear, punctures, tears or burns, to any part of the PLUSH BACK including the back's removable cover. If within such warranty period any such product shall be proven to be defective, such product shall be repaired or replaced, at INNOVATIVE CONCEPTS discretion. This warranty does not include any labor or shipping charges incurred in replacement part installation or repair of any such product. LIMITATIONS AND EXCLUSIONS: The foregoing warranty shall not apply to products subjected to negligence, accident, improper operation, maintenance or storage, commercial or institutional use, or any unauthorized part attachment or product modifications without INNOVATIVE CONCEPTS express written consent.



300 North State Street
Girard, Ohio 44420 USA
(800) 676-5030