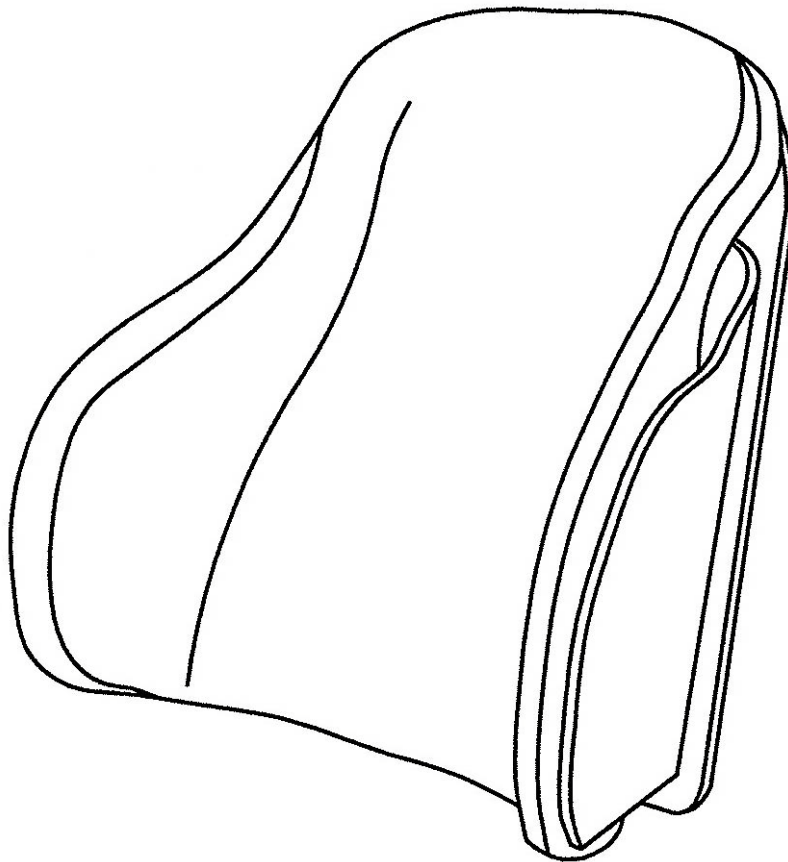




**Installation Instructions/Operating Instructions**  
For Standard "Quick Clamp Hardware"

*Accu-Fit Back™*



**Important Consumer Information!**

NOTICE: This manual contains important instructions that must be passed on to the user of this product. Please provide upon delivery to the end user.

*Accu-Fit Seating™*  
"Improving lives, Improving independence, one product at a time"

# Installation Instructions

## TABLE OF CONTENTS

### Assembly and Mounting Steps

Attaching back cane mounting assembly -----	Page 3
Attaching back mount bracket to track -----	Page 4
Installing back onto back cane brackets -----	Page 5
Adjusting height, depth and/or angle -----	Page 6
Adjusting lateral supports -----	Page 7
Final adjustments -----	Page 7

### Operating Instructions

Care and Maintenance -----	Page 8
Warranty -----	Page 8

#### Read Before Proceeding!

TRACK BRACKETS WITH QUICK-CLAMP HARDWARE STANDARD.

NON-TRACK MOUNT BACKS THAT ARE  
ORDERED AS "T-NUT ONLY" HAVE 3 ROWS OF T-NUT  
LOCATIONS, ONE INCH ON CENTERS VERTICALLY AND HORIZONTALLY.

#### WARNING!

DO NOT INSTALL THIS EQUIPMENT WITHOUT FIRST READING AND  
UNDERSTANDING THIS MANUAL. INNOVATIVE CONCEPTS WILL NOT BE  
RESPONSIBLE FOR DAMAGE OR INJURY AS A RESULT OF MISUSE OR  
IMPROPER INSTALLATION. WE RECOMMEND AN EXPERIENCED  
PROFESSIONAL BE CONSULTED IN THE SELECTION AND APPLICATION  
PROCESS OF THIS PRODUCT

# Installation Instructions

## WARNING!

Until all mounting clamps, brackets and pieces are tightened and securely attached, make sure client is safely supported while positioning adjustments are made to prevent the client from falling out of the wheelchair.

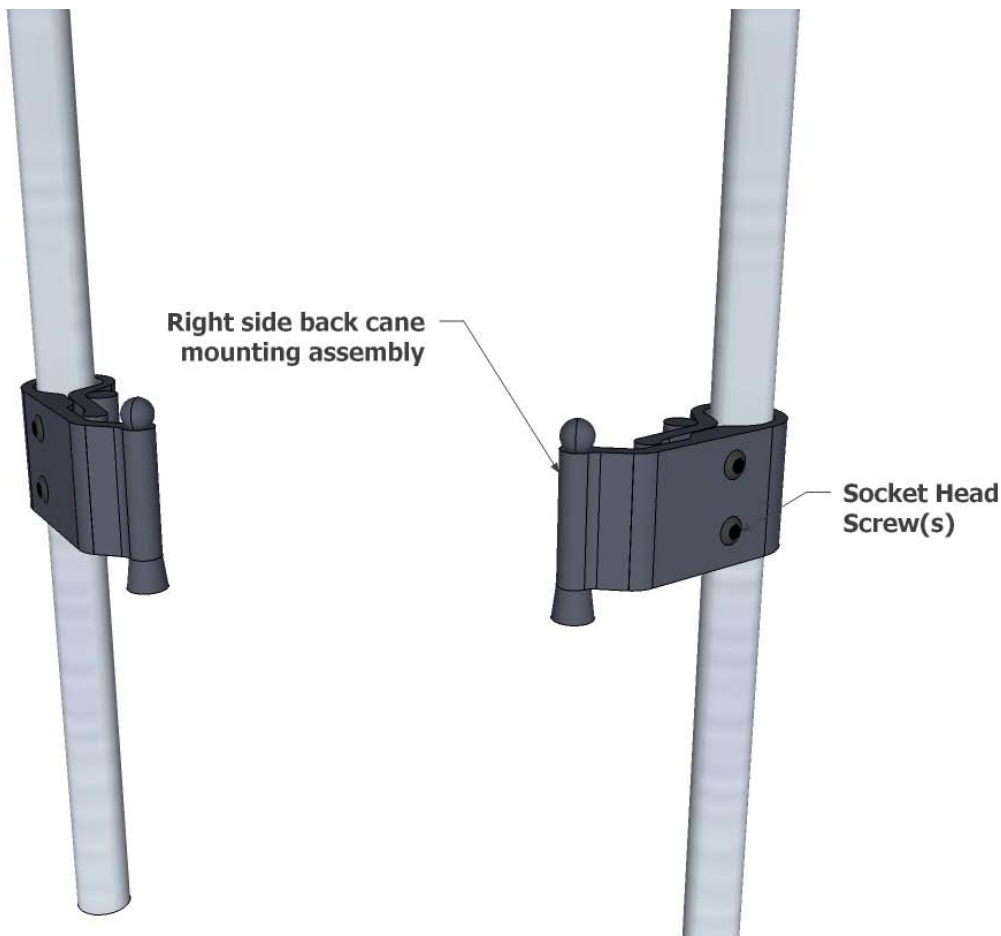
## Step 1-Attaching back cane mounting assembly

**Note:** Track mount brackets shown throughout instruction process.

(Step 1.1) Locate the desired position for the back within the wheelchair back canes. Using a pencil or a non-permanent marking tool hold the back in the desired mounting location, draw marks or lines horizontally level to each other for the desired mounting location of back cane brackets, transfer mark over onto the track mount bracket.

(Step 1.2) Proceed by measuring and mounting opposite back cane mounting bracket onto opposite cane.

**Tip:** re-measure mounting locations, being certain that hardware is "Level" left to right. Also keep in mind not to over tighten hardware because the back height may need to be re-adjusted before final tightening of hardware is done.

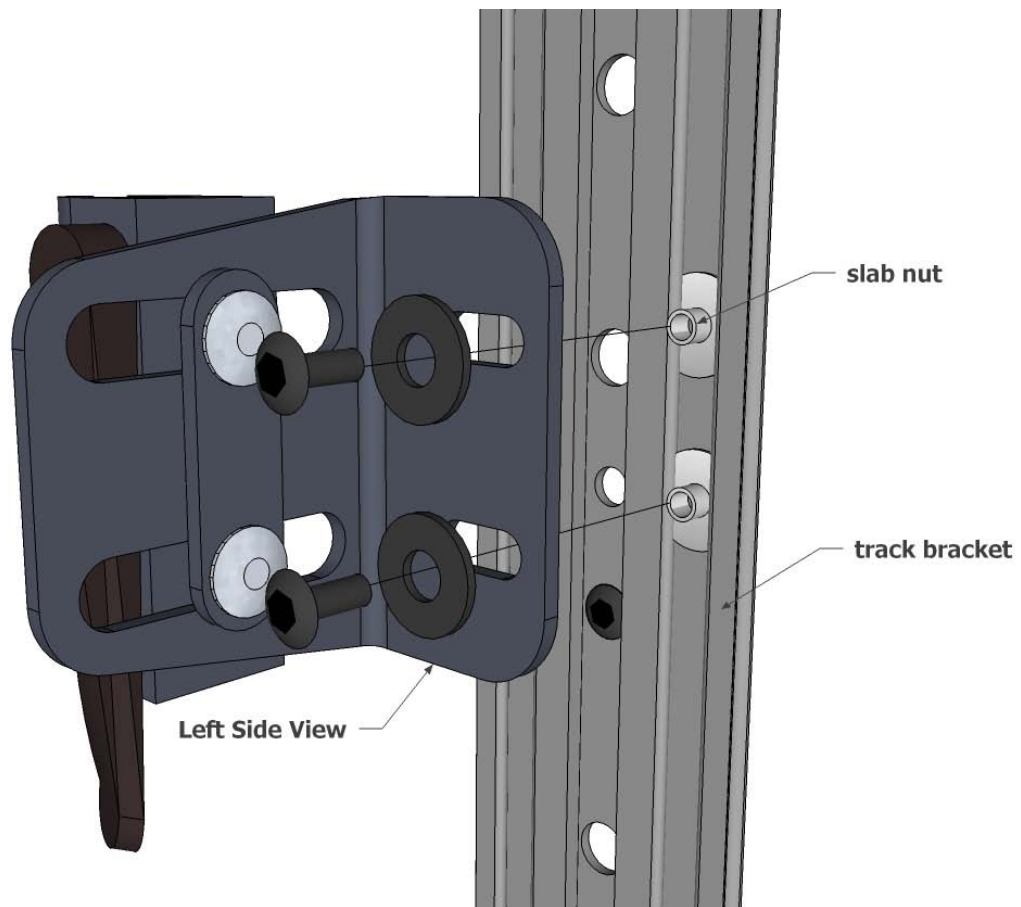


# Installation Instructions

## Step 2-Attaching back mount bracket to track

(Step 2.1) Referencing pencil mark(s) locations from step 1, attach back mount brackets in desired mounting location on track bracket, please reference below LEFT SIDE VIEW, standard “between the rails” installation. Back bracket MUST be attached using inside track slot for proper mounting location.

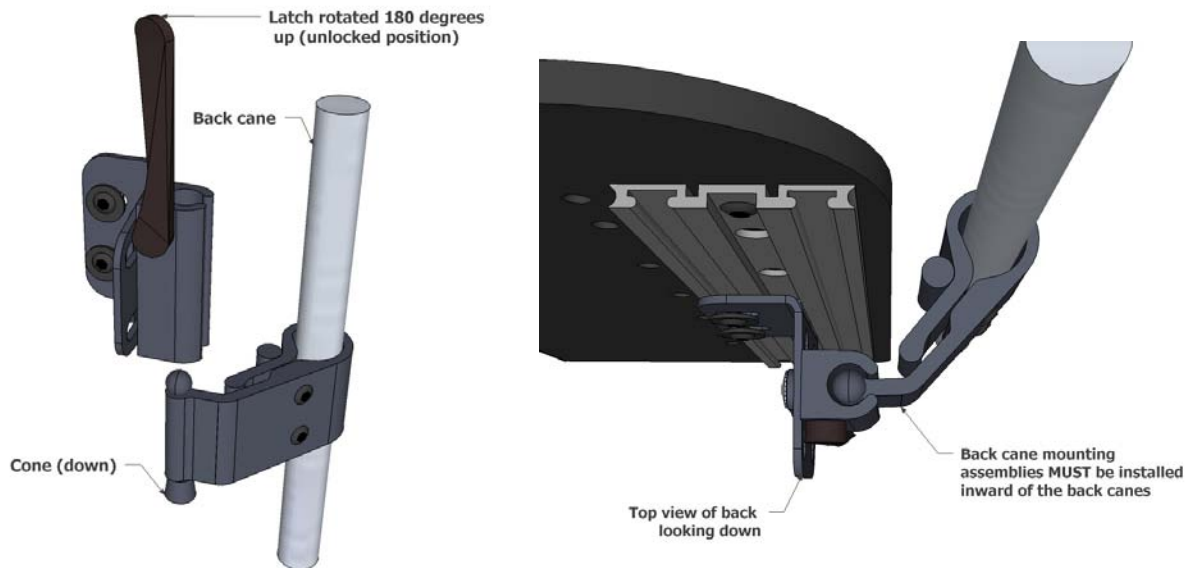
(Step 2.2) Repeat above step for opposite right side back mount bracket installation.



# Installation Instructions

## Step 3-Installing Accu-Fit back onto back cane brackets

- (Step 3.1) On each back mounting bracket, slightly pull out as you rotate latch-levers outward 180 degrees to the up (unlocked) position.
- (Step 3.2) Align and put the receivers on the back mounting brackets onto the back cane mounting assemblies as shown below.
- (Step 3.3) Adjust the back cane mounting assemblies until the receivers are fully seated on each side and the back is centered between the back canes. If no other adjustment is needed, proceed to next step.
- NOTE: Use Step 2.1 to assist with these adjustments, the back mount brackets can also be loosened and re-adjusted on the track brackets.
- (Step 3.4) Final adjustments for installing/removing Accu-Fit back, make all necessary fine-tuning adjustments so that back assembly installs/removes properly.



# Installation Instructions

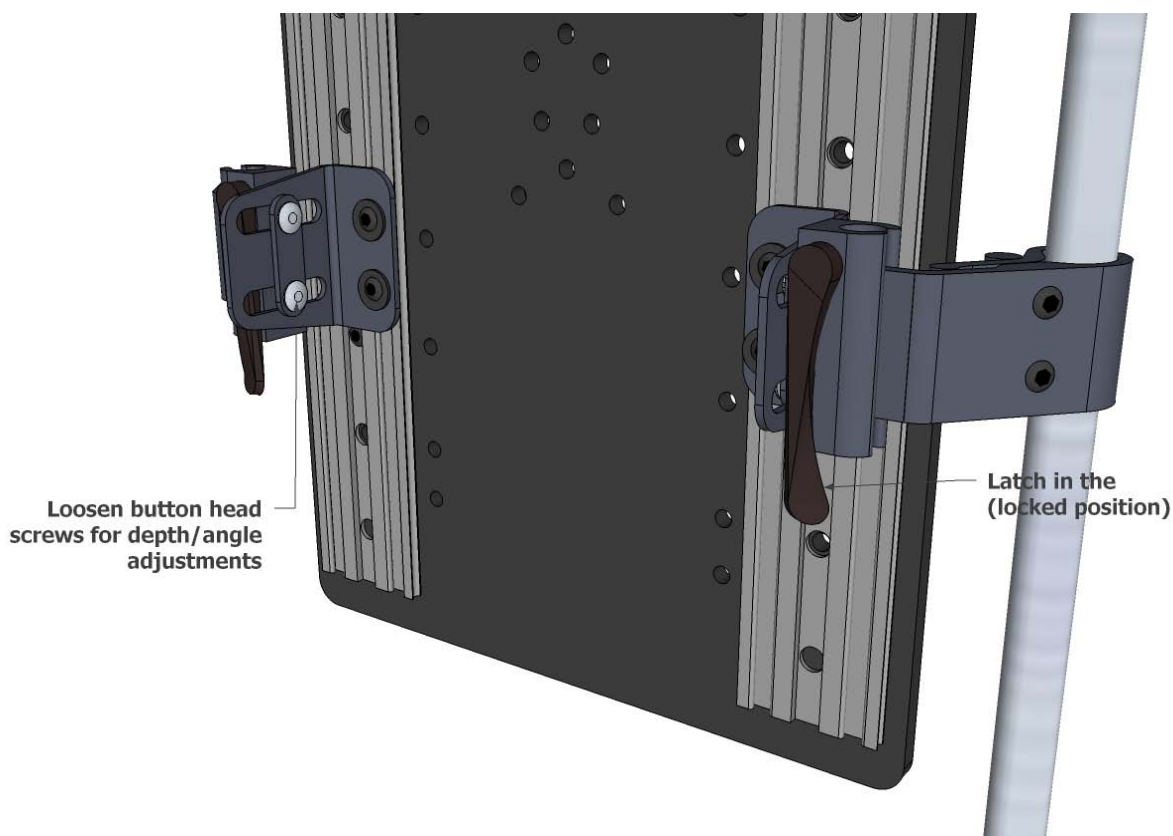
## Step 4-Adjusting Height, Depth and/or Angle

(Step 4.1) On each side of the back loosen but DO NOT remove the button head screws that secure the back mount brackets to track assemblies, adjust the back to the desired height by sliding back brackets up or down on the track brackets.

Note: If track will not accommodate necessary height adjustment, re-tighten back brackets and make necessary height adjustment through repositioning back cane mounting brackets on back canes.

(Step 4.2) On each side of the back loosen but DO NOT remove the button head screws that secure the washer plates to the back cane mounting brackets, adjust the back to the desired depth and/or angle. Tighten the button head screws securing the washer plates and back mounting brackets in the desired position.

**Note: Back mount brackets provide up to 2" of depth adjustment, 30 degrees of anterior tilt and 30 degrees of posterior tilt angle adjustment.**



### WARNING!

Make sure client is safely supported while positioning adjustments are made to prevent the client from falling out of the wheelchair.

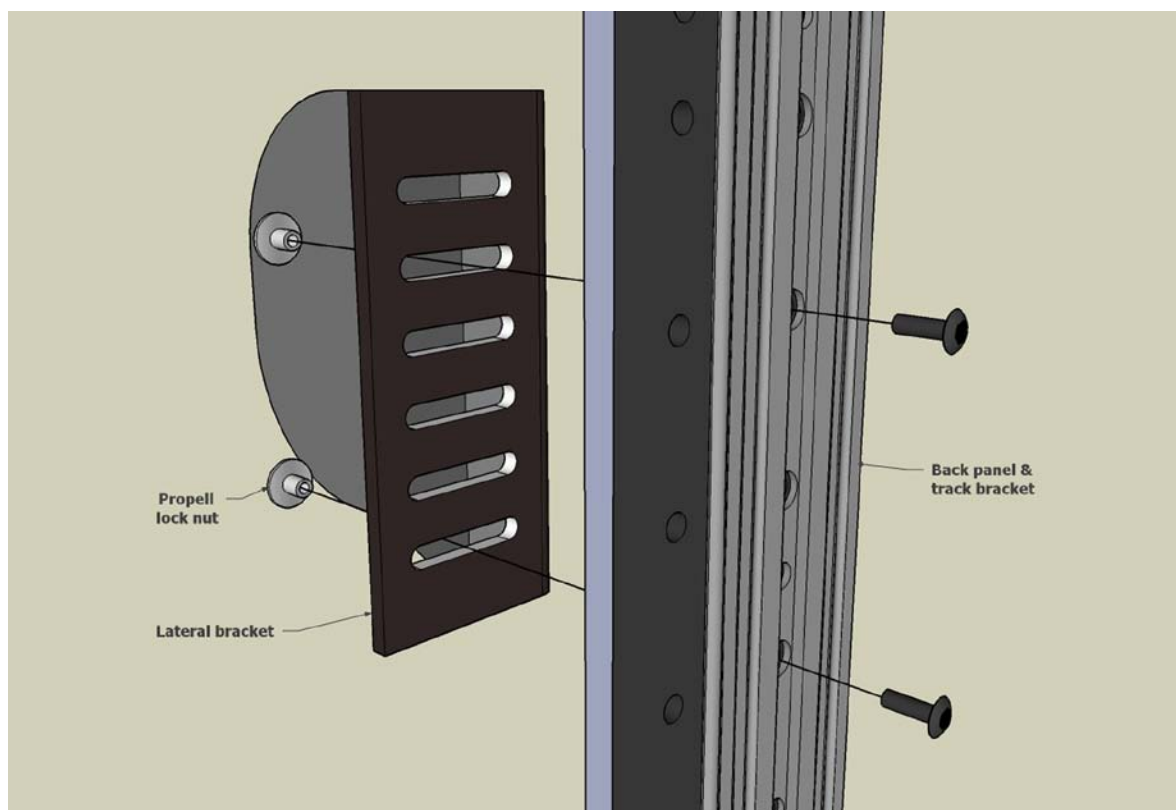
# Installation Instructions

## Step 5-Adjusting Lateral support(s)

(Step 5.1) Width and/or angle adjustment, locate and loosen but DO NOT remove the two button head screws that attach through track brackets to the propel lock nuts. Propel lock nuts will adjust in lateral slots as seen below. Adjust lateral to the desired width and/or angle and re-tighten button head screws to secure laterals.

Note: If desired lateral positioning cannot be accomplished in step 5.1 proceed to step 5.2.

(Step 5.2) Remove Accu-Fit back from wheelchair, remove track bracket attachment screws and remove both tracks from back. Unzip and remove cover from back support. From the bottom of back cushion you have access between attached (glued) foam and wood, gently lift foam (without tearing) to gain access to inside lateral bracket. Remove button head screws attached to lateral support, now lateral is only attached to back by way of foam, these laterals are designed with additional mounting slots for raising/lowering height. Position lateral in desired location, align slots and mounting holes to re-attach lateral with propel nuts and screws. Do not over tighten at this time, final positioning adjustments will need to be made. Repeat this process for opposite lateral if necessary. Once lateral(s) are repositioned and secure, re-attach cover and track brackets, re-install back in wheelchair making sure all parts are properly secure



## Step 6-Final Adjustments

(Step 6.1) Seat client in wheelchair.

(Step 6.2) Position client with desired back depth, back height and seat-to-back angle.

(Step 6.3) Final check and tighten of all bolts, clamps and brackets including lateral support brackets.

### CARE AND MAINTENANCE

- The outer stretch cover can be wiped clean using mild detergent, cold water and a washcloth, towel dry. For heavily soiled covers, refer to step 5.2 remove outer stretch cover and machine wash using, mild detergent, gentle cycle and cold water. Air dry cover completely before re-assembling back and hardware.
- Never store back support in conditions of extreme cold or heat. Do not expose to direct sunlight for long periods of time.
- Never store heavy or sharp objects on top of your cushions.
- Daily-Before client is positioned in wheelchair, make sure back cushion is properly attached.
- Once a month, check that mounting hardware is securely tightened

#### 18 MONTH LIMITED WARRANTY

This warranty is extended only to the original purchaser/user of our products.

Every Accu-Fit BACK is guaranteed to be free from defects in materials and workmanship for a period of 18 months from the date of purchase. This warranty does not apply to normal wear, punctures, tears or burns, to any part of the Accu-Fit BACK including the back's removable cover. If within such warranty period any such product shall be proven to be defective, such product shall be repaired or replaced, at INNOVATIVE CONCEPTS discretion. This warranty does not include any labor or shipping charges incurred in replacement part installation or repair of any such product. LIMITATIONS AND EXCLUSIONS: The foregoing warranty shall not apply to products subjected to negligence, accident, improper operation, maintenance or storage, commercial or institutional use, or any unauthorized part attachment or product modifications without INNOVATIVE CONCEPTS express written consent.



300 North State Street  
Girard, Ohio 44420 USA  
(800) 676-5030